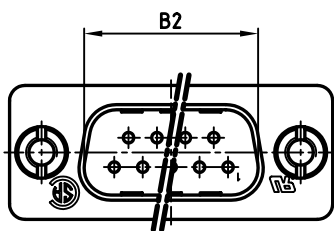
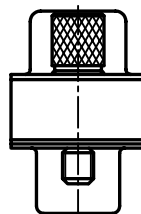
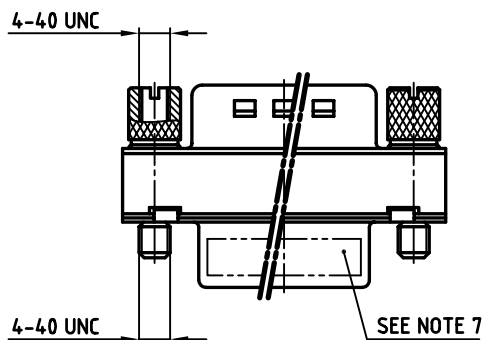
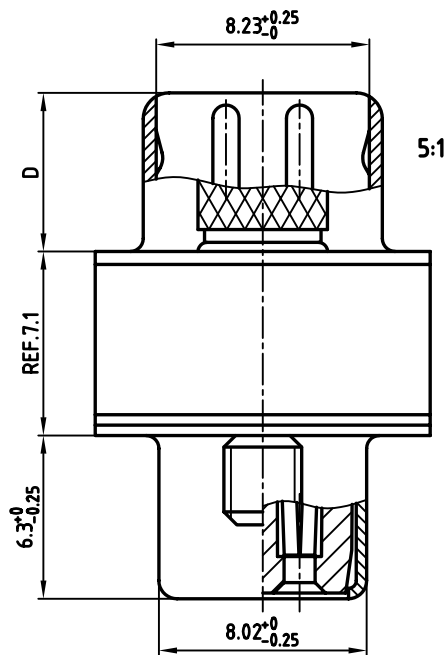
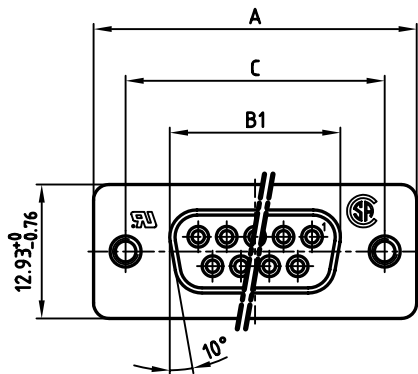


used for: FILTER ADAPTER

POS.	A <sub>-0.76</sub>	B1 <sub>-0.25</sub>	B2 <sup>+0.25</sup>	C	D <sub>-0.3</sub>	PART NO.
9	31.19	16.46	16.79	25.00 <sup>+0.12</sup> <sub>-0.13</sub>	6.12	<b>243A10050X</b>
15	39.52	24.79	25.12	33.30 <sup>+0.15</sup> <sub>-0.1</sub>	6.12	<b>243A10060X</b>
25	53.42	38.50	38.84	47.04 <sup>±0.13</sup>	5.99	<b>243A10070X</b>
37	69.70	54.96	55.30	63.50 <sup>±0.13</sup>	5.99	<b>243A10080X</b>



**NOTES:**

- METALSHELLS: STEEL; min. 320µ" TIN
- INSULATORS: PBT GF UL 94 V-0, BLACK
- CONTACTS: COPPER ALLOY  
PLATING: 8µ" HARD GOLD OVER min. 50µ" NICKEL
- CAPACITANCE: 1300pF ±20%
- DIELECTRIC WITHSTANDING VOLTAGE: 424 VDC
- MAXIMUM TORQUE VALUE FOR THREAD: 6" LBS
- CONNECTOR IS PART MARKED: PART-NO. CONEC ABC

Directive 2002/95/EC  
 „RoHS“  
 Compliant

APPROVAL # FREIGABE # DEBLOCAGE # AUTORIZACION # APPROVAL

CUSTOMER APPROVAL DATE:

---

NAME: \_\_\_\_\_ TITLE: \_\_\_\_\_

---

COMPANY NAME: \_\_\_\_\_

APPROVAL # FREIGABE # DEBLOCAGE # AUTORIZACION # APPROVAL

THIS DRAWING MAY NOT BE COPIED OR REPRODUCED IN ANY WAY, AND MAY NOT BE PASSED ON TO A THIRD PARTY, WITHOUT WRITTEN PERMISSION. OWNERSHIP AND COPYRIGHT OF CONEC GmbH. DO NOT ALTER CAD DRAWING BY HAND

rev.	description	date	name

tolerance dim. in mm

2005	date	name
drawn	03.08.	Lehmenkühler
appd.	03.08.	Mickenbecker
norm	DIN 41652	
d-old		

CONEC®

scale: 2:1 (5:1)  
 material: SEE NOTES

title: **D-SUB C-FILTER ADAPTER**  
 9-37pos. PLUG / SOCKET  
 with jack screws

dwg no: AutoCAD 2004 DIN-A  
24K1A681 3

part no: SEE TABLE sh: 1/1